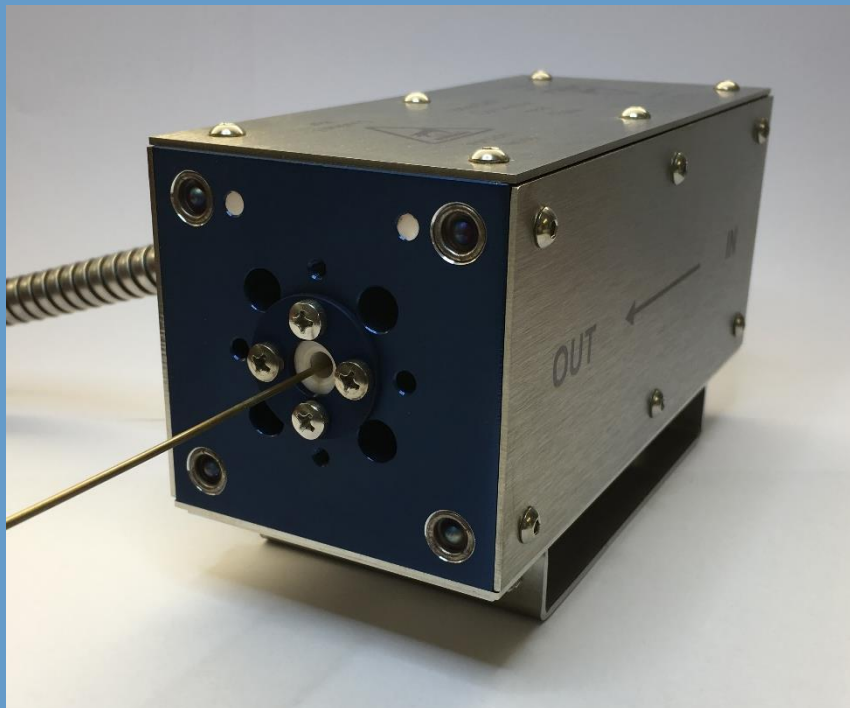


**lune**  
CHF GmbH

## Unique Contact-Free Temperature Measurement “Convective Heat Flow”

**WIRETEMP  
MEASUREMENT HEAD FOR BEST PERFORMANCE  
AND HIGHEST PRECISION**



[www.lune-chf.com](http://www.lune-chf.com)

# LUNE CHF ----- WIRETEMP

The lune-CHF WIRETEMP allows contact-free and precise temperature measurement for all types of wires using the Convective Heat Flow (CHF) measurement principle (without optics).

Temperature range from 20° to 300 °C (68° to 572 °F).

The measurement is independent of influencing factors like colour, emission factor, speed, surface structure and varying distances between sensor and wire.

Since the WIRETEMP uses 8 Heatflow sensors it has the best performance and highest precision.

The double head design allows auto calibration of the system.

The WIRETEMP system needs very little maintenance and NO recalibration.

The measurement head is available in 4 versions:

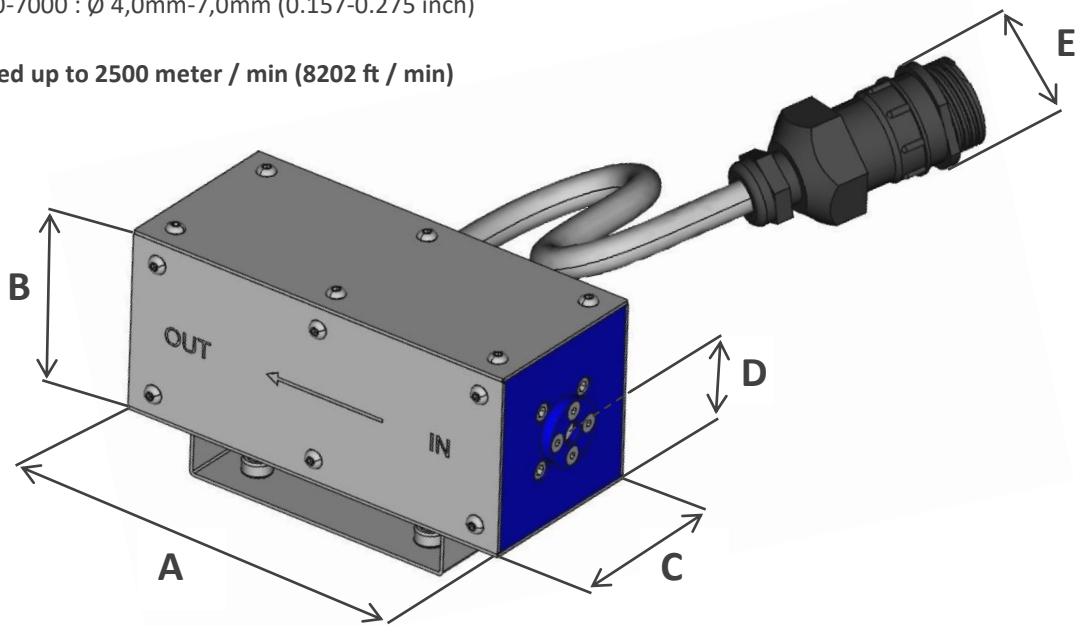
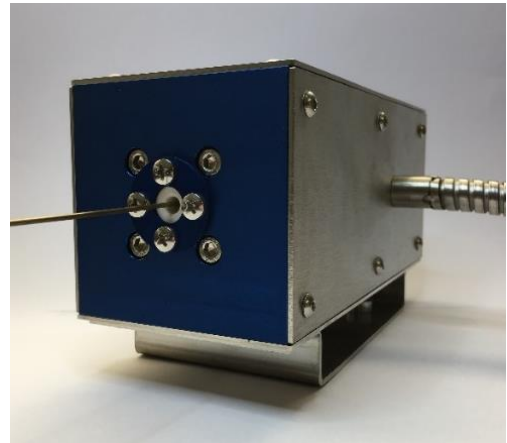
WT-0075-1250 : Ø 0,075mm-1,25mm (0.003-0.049 inch)

WT-0305-2300 : Ø 0,305mm-2,30mm (0.012-0.090 inch)

WT-2000-5000 : Ø 2,0mm-5,0mm (0.079-0.196 inch)

WT-4000-7000 : Ø 4,0mm-7,0mm (0.157-0.275 inch)

Line speed up to 2500 meter / min (8202 ft / min)



| WT   | A     | B    | C    | D    | E    |
|------|-------|------|------|------|------|
| mm   | 189,5 | 80,0 | 80,0 | 40,0 | 47,1 |
| Inch | 7.46  | 3.15 | 3.15 | 1.57 | 1.85 |

|      | F     | G     | H    | I    | J     | K    |
|------|-------|-------|------|------|-------|------|
| mm   | 174,0 | 123,0 | 75,0 | 18,5 | 84,5  | 40,0 |
| Inch | 6.85  | 4.84  | 2.95 | 0.73 | 33.27 | 1.57 |

|        |                  |
|--------|------------------|
| Weight | 2,9 kg (6.4 lbs) |
|--------|------------------|

