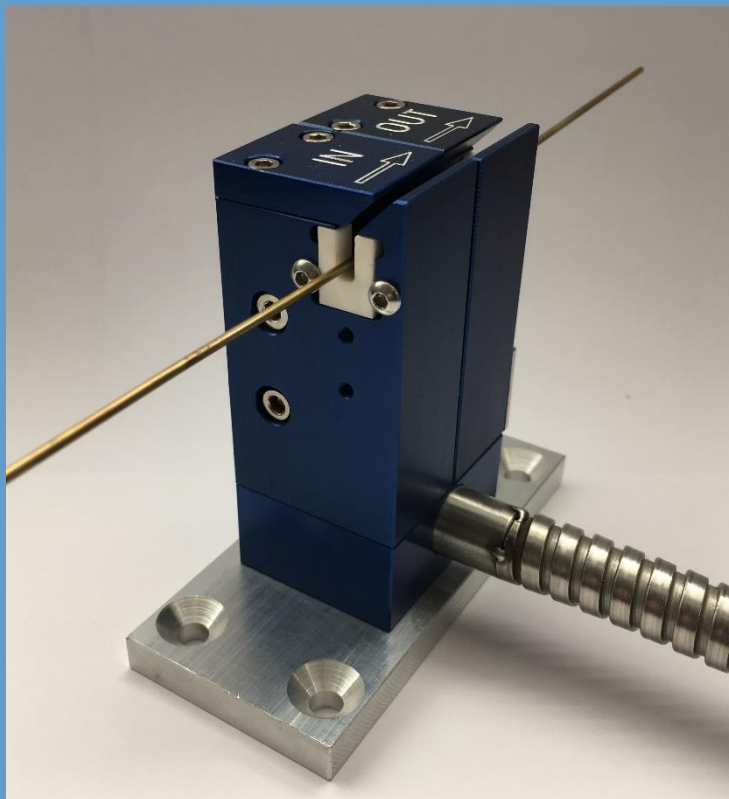


lune
CHF GmbH

Unique Contact-Free Temperature Measurement “Convective Heat Flow”

WIRETEMP SH
SMALL AND SLOTTED MEASUREMENT HEAD FOR
EASIEST HANDLING



www.lune-chf.com

LUNE CHF ----- WIRETEMP SH

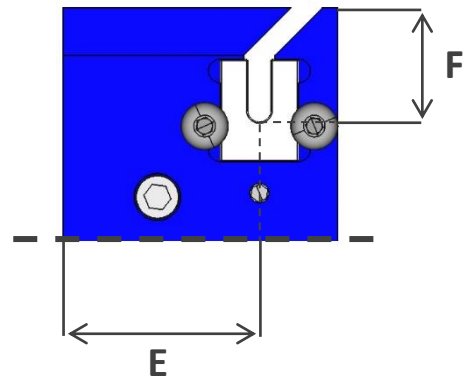
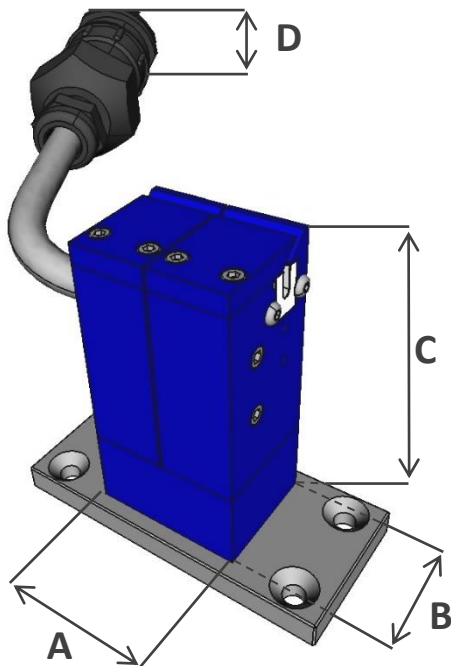
The lune-CHF WIRETEMP SH allows contact-free and precise temperature measurement for all types of wires using the Convective Heat Flow (CHF) measurement principle (without optics).

Temperature range from 20° to 300° C (68° to 572° F).

The measurement is independent of influencing factors like colour, emission factor, speed, surface structure and varying distances between sensor and wire.

The double head design allows auto calibration of the system. The WIRETEMP LC system needs very little maintenance and NO recalibration.

Wire Diameter from \varnothing 0,6mm to \varnothing 3,0mm (0.024 to 0.12 inch).
Line speed up to 800 meter / min (2624 ft/min).



WT-SH	A	B	C	D	E	F
mm	45,0	35,0	86,5	47,1	25,0	14,5
Inch	1.77	1.38	3.41	1.85	0.98	0.57

	G	H	I	J	K
mm	45,0	100,0	8,0	30,0	80,0
Inch	1.77	3.94	0.31	1.18	3.15

Weight	0,5 kg (1.1 lbs)
--------	------------------

