

lune
CHF GmbH

Unique Contact-Free Temperature Measurement “Convective Heat Flow”

WIRETEMP LC
SLOTTED MEASUREMENT HEAD FOR BEST PERFORMANCE
AND EASIEST HANDLING



www.lune-CHF.com

LUNE CHF ----- WIRETEMP LC

The lune-CHF WIRETEMP LC allows contact-free and precise temperature measurement for all types of wires using the Convective Heat Flow (CHF) measurement principle (without optics).

Temperature range from 20° to 300° C (68° to 572° F).

The measurement is independent of influencing factors like colour, emission factor, speed, surface structure and varying distances between sensor and wire.

The double head design allows auto calibration of the system. The WIRETEMP LC system needs very little maintenance and NO recalibration.

The measurement head is available in 4 versions:

WTLC-0200-1900 : Ø 0,2mm-1,9mm (0.008-0.074 inch)

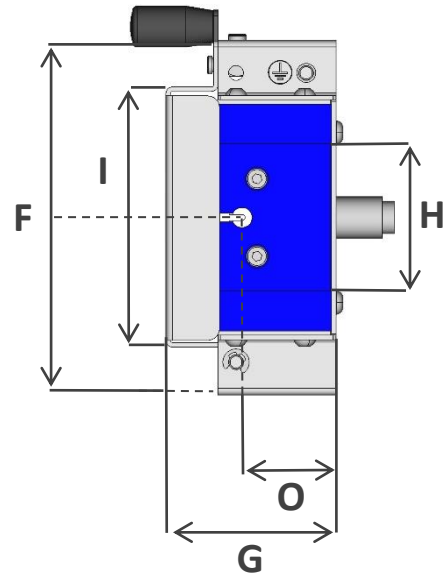
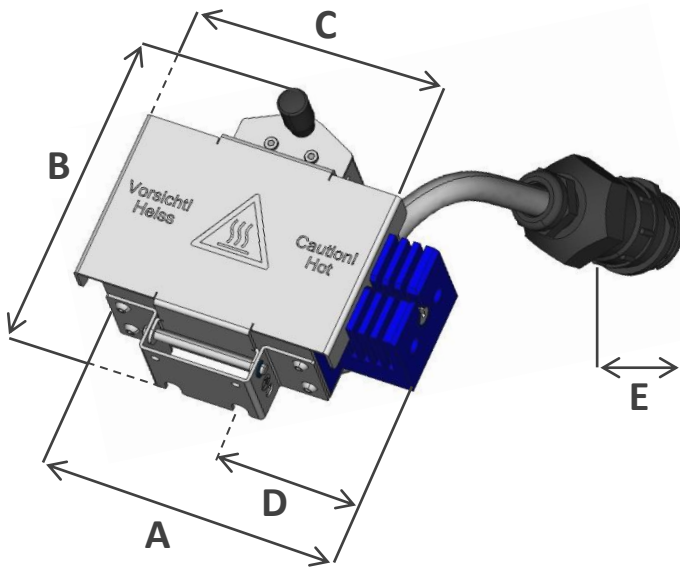
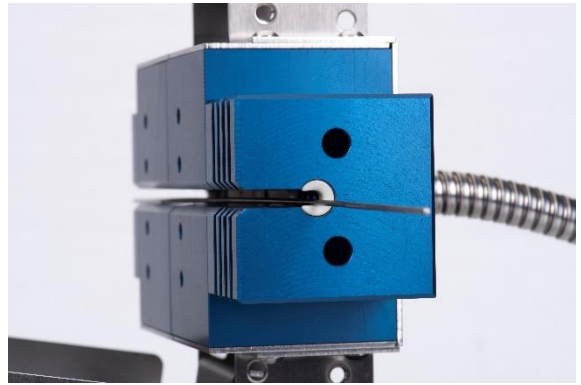
WTLC-1500-3500 : Ø 1,5mm-3,5mm (0.059-0.137 inch)

WTLC-3000-5000 : Ø 3,0mm-5,0mm (0.118-0.196 inch)

WTLC-4500-7000 : Ø 4,5mm-7,0mm (0.177-0.275 inch)

Line speed up to 1500 meter / min (4921 ft/min).

Higher line speeds are possible with the additional inlet path .



WT-LC	A	B	C	D	E	F	G	H	I	O
mm	150,1	160,0	125,5	69,75	47,1	119,0	58,0	49,5	87,5	32,0
Inch	5.91	6.30	4.94	2.75	1.85	4.69	2.28	1.95	3.44	1.26

	J	K	L	M	N
mm	39,5	54,5	21,0	33,0	102,5
Inch	1.56	2.15	0.83	1.30	4.04

Weight	1,6 kg (3.5 lbs)
--------	------------------

