

**lune**  
CHF GmbH

## Unique Contact-Free Temperature Measurement “Convective Heat Flow”

**WIRETEMP LS**  
SLOTTED MEASUREMENT HEAD FOR HIGHEST PERFORMANCE  
AT REASONABLE PRICE



[www.lune-chf.com](http://www.lune-chf.com)

# LUNE CHF ----- WIRETEMP LS

The lune-CHF WIRETEMP LC allows contact-free and precise temperature measurement for all types of wires using the Convective Heat Flow (CHF) measurement principle (without optics).

Equipped with 4 of our longest Sensors for highest performance. Temperature range from 20° to 300° C (68° to 572° F).

The measurement is independent of influencing factors like colour, emission factor, speed, surface structure and varying distances between sensor and wire.

The double head design allows auto calibration of the system.

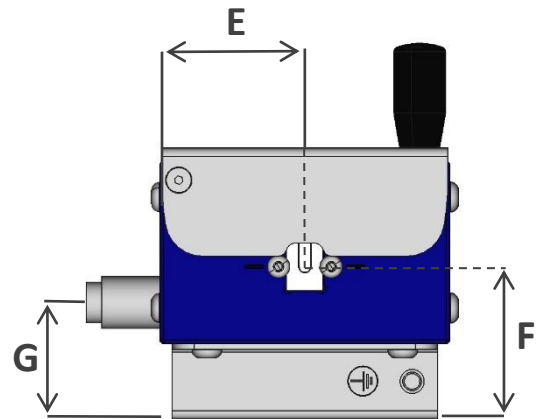
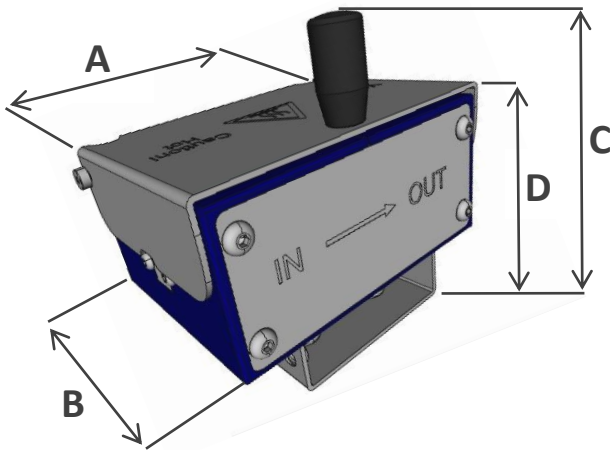
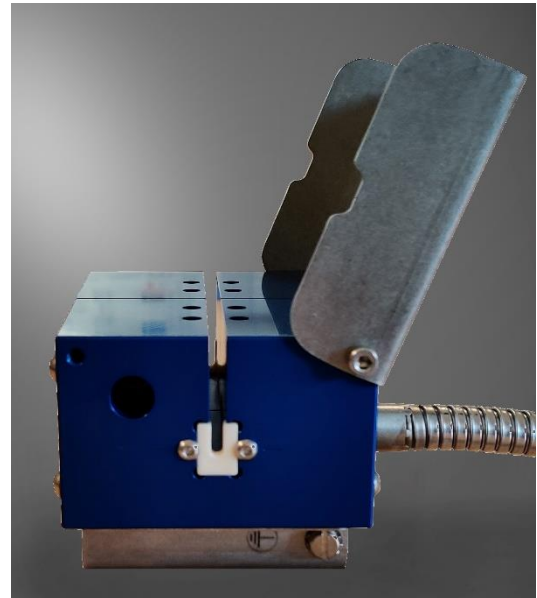
The WIRETEMP LS system needs very little maintenance and NO recalibration.

The measurement head is available in 2 versions:

WTLS-s : Ø 0,2mm-1,9mm (0.008-0.074 inch)

WTLC-m: Ø 0,6mm-3,0mm (0.024-0.118 inch)

**Line speed up to 600 meter / min (1968 ft/min).**



WT-LC	A	B	C	D	E	F	G
mm	115,0	80,0	120,0	73,0	40,0	43,0	33,0
Inch	4.53	3.15	4.72	2.87	1.57	1.69	1.30

	H	I	J	K	L	M
mm	95,0	71,0	60,0	20,0	33,0	31,0
Inch	3.74	2.80	2.36	0.79	1.30	1.22

Weight	1,6 kg (3.5 lbs)
--------	------------------

